



THE VTA SERIES

PREMIUM COMMERCIAL DOOR DRIVES WITH DC TECHNOLOGY

WE'LL DO THE HEAVY LIFTING

THE NEXT GENERATION OF DOOR OPERATORS ARE HERE. THE VTA SERIES DRIVES ARE PERFECT FOR SPRING BALANCED SECTIONAL DOORS.

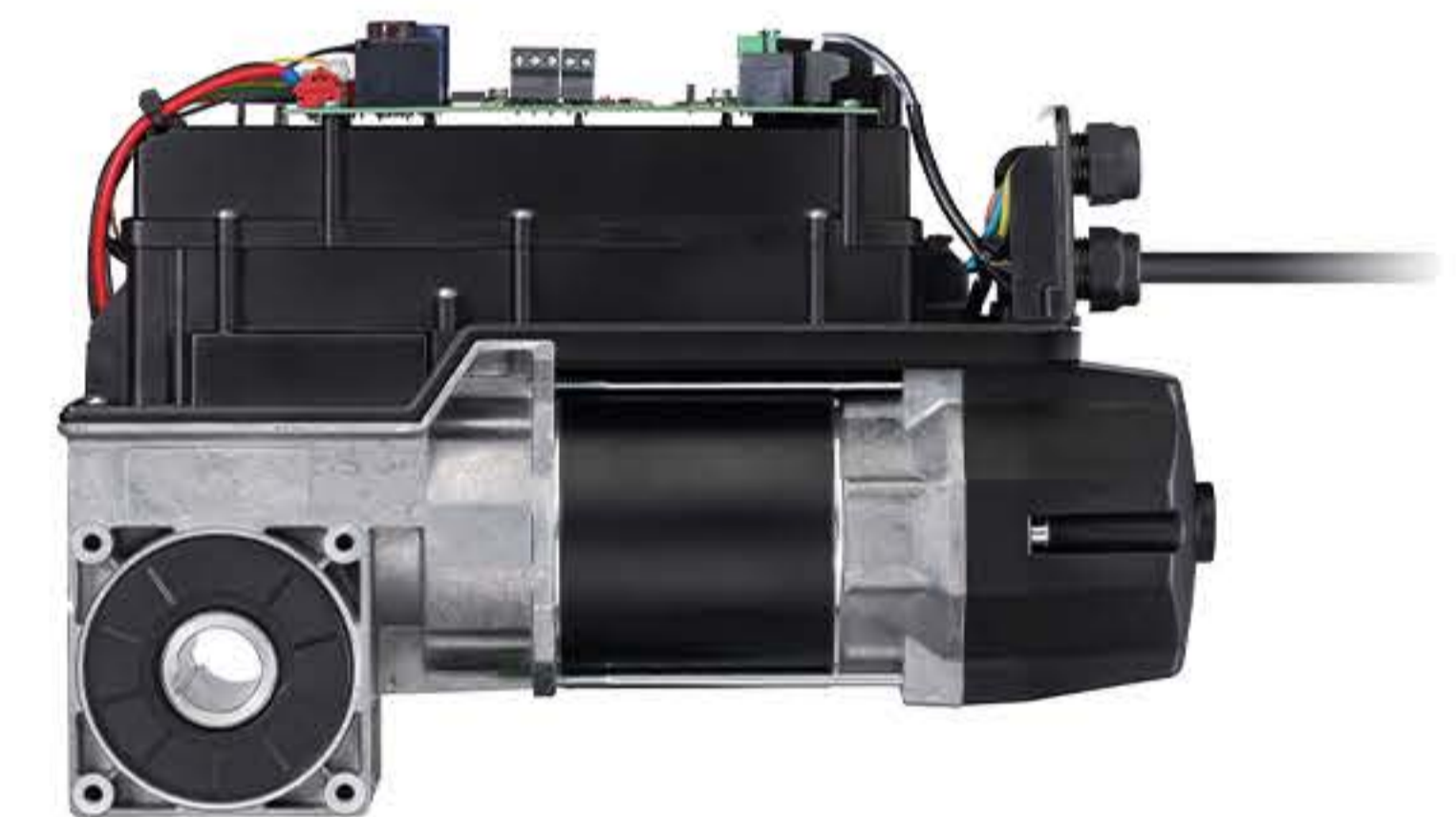
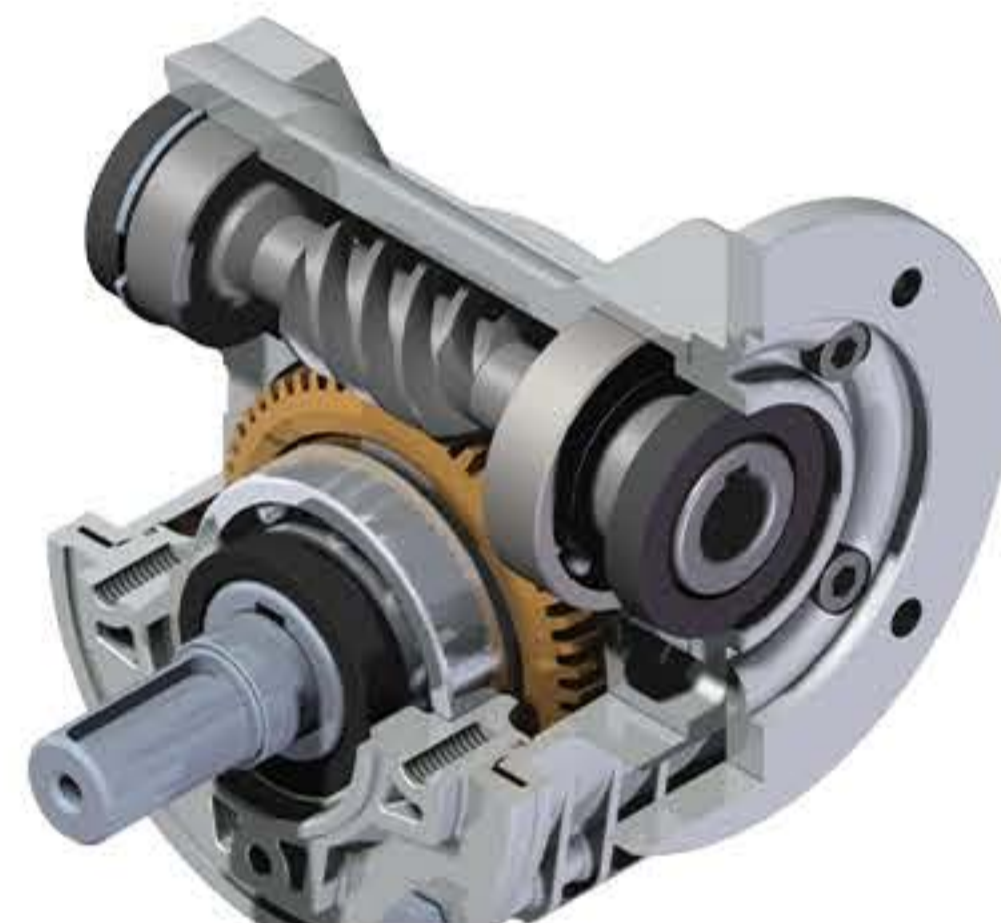
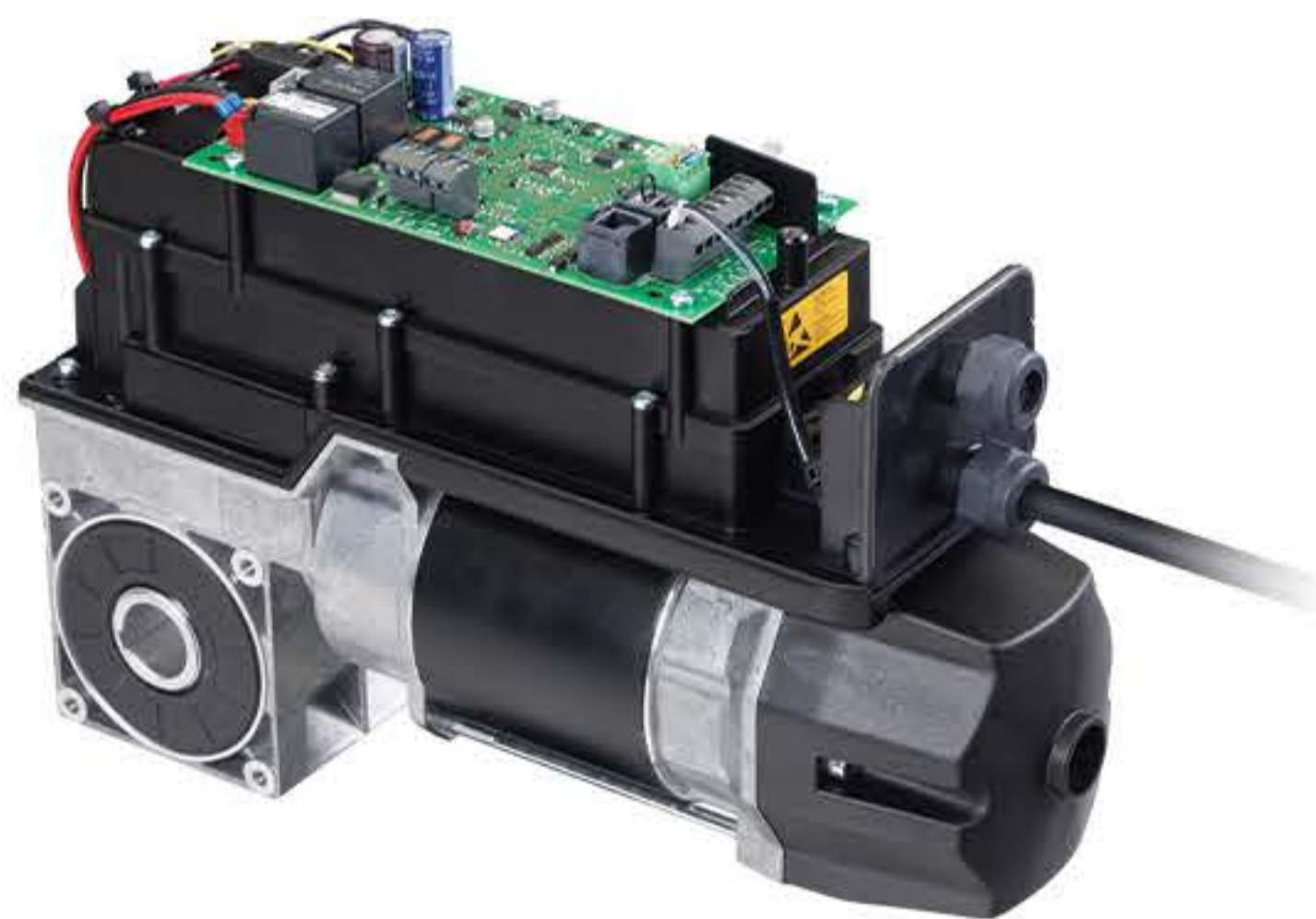
- ✓ AUTO DETECT VOLTAGE SWITCHING SUPPORTS EITHER 110V OR 220V.
- ✓ WORM GEAR DESIGN PROVIDES TORQUE FOR DOORS UP TO 194 SQ. FT.
- ✓ LIGHTWEIGHT, POWERFUL, AND EASY TO INSTALL.





FEATURES

- + AUTO DETECT SWITCHING FOR 110V OR 220V
- + 897 LBS OF STATIC HOLDING TORQUE
- + ULTRA QUIET DC MOTOR
- + BUILT-IN INSTANT REVERSE
- + UL325 COMMERCIAL LISTED
- + INTEGRATED CONTROL BOARD
- + SOFT START/STOP WITH VARIABLE SPEED
- + RATED FOR UP TO 20 CYCLES/HOUR & 450/DAY



STANDARD SPECS

- + DESIGNED FOR 1" DIAMETER SOLID SHAFTS & TORSION TUBES
- + BATTERY BACK-UP COMPATIBLE
- + AVAILABLE WITH EMERGENCY QUICK RELEASE OR CHAIN HOIST



2 YEAR
LIMITED
WARRANTY

