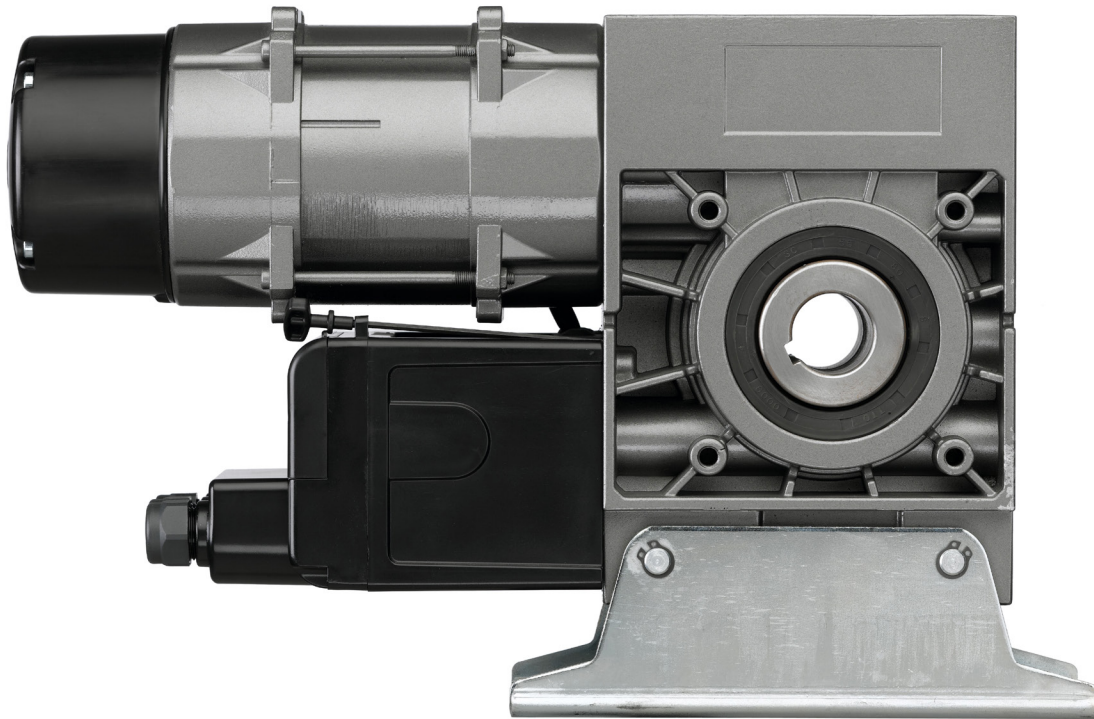


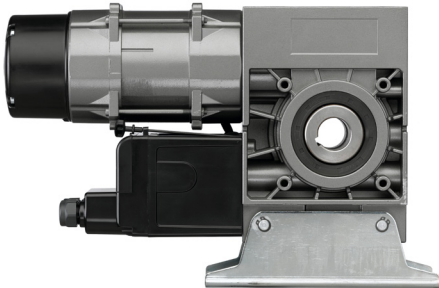
# MDF Series

Heavy Duty 3 Phase Commercial Operators for Large & Springless Rolling Steel Doors



Marantec America Corporation  
5705 Centerpoint Court  
Gurnee, Illinois 60031  
tel: 1-847-478-1500  
[www.marantecamerica.com](http://www.marantecamerica.com)

### MDF Series

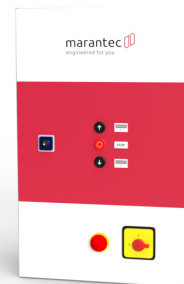


#### Features: MDF Series

- 3 phase direct drive AC motor or 230 single phase AC with frequency inverter, With thermal protection.
- Integrated Safety Catch Device.
- Can be installed and programmed in minutes.
- Direct drive operator, shaft side-mount installation.
- Gear boxes with a multitude of shaft sizes for just about any installation.
- Electronic limits with absolute encoder or physical cam limits.
- Programming takes place via a pluggable LCD monitor.
- Optional version with frequency inverter available that allows for variable speeds.



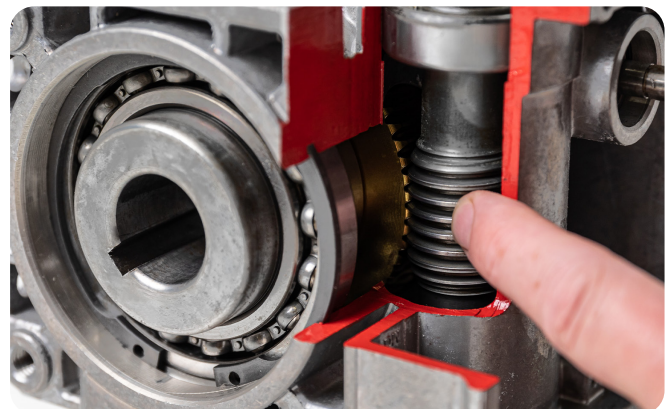
### CS 320 External Control Box



\*for illustration purposes only

#### Features: CS 320 External Control Box

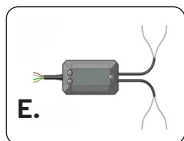
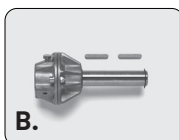
- Designed for use in industrial areas on most types of commercial doors.
- Integrated 3 button Open-Close-Stop for standard operation.
- Works with Marantec commercial operators featuring an electronic absolute encoder or mechanical limit switch.
- Connects to multiple command and safety devices.
- IP 65 for steel enclosure and IP 54 for Polyurethane enclosure.
- UL 325 Commercial Listed



### Technical Data

Description	MTZ
Drive Motor Speed min-1	45-156
Maximum Safety Catch Torque	309
Static Holding Torque	N/A
Power Specs	480V/60Hz/3 Phase or 230/60Hz/1 phase
Control Voltage	24V
Maximum Cycles per Hour	45
Maximum Cycles per Day	1080
Temperature Range	-4 F / 140 F
Continuous Sound Pressure Level	< 70
Unit Weight	41.9 lbs
Maximum Output Revolutions	13
Shaft Diameter	1" or 1.25"
Connection to the Drive Shaft	Direct

### Accessories



Item	Part No.	Description
A	158766	315 MHz Remote Activation Kit
B	64976	Drive Shaft Adapter - Keyed Solid Shaft 1"
C	185016	Industrial Photo Eyes Indoor use, NEMA 1 rated, max. range of 30 ft.
D	185017	NEMA 4x Photo Eyes Flexible rubber housings resist water spray/ corrosion; indoor/outdoor use, IP65 rated; max range of 45 ft.
E	185018	Connect Kit for Dual Photo Eye Configuration
F	159261	Signal Light 950 - Amber
G	148414	Light 100 Red/Green Traffic Light (Not Pictured)



Backed by our  
**2 Years or 40,000 Cycles Warranty**



I.C./ F.C.C.  
Certified

### Operator Dimensions

Operator will differ in size depending on model.

